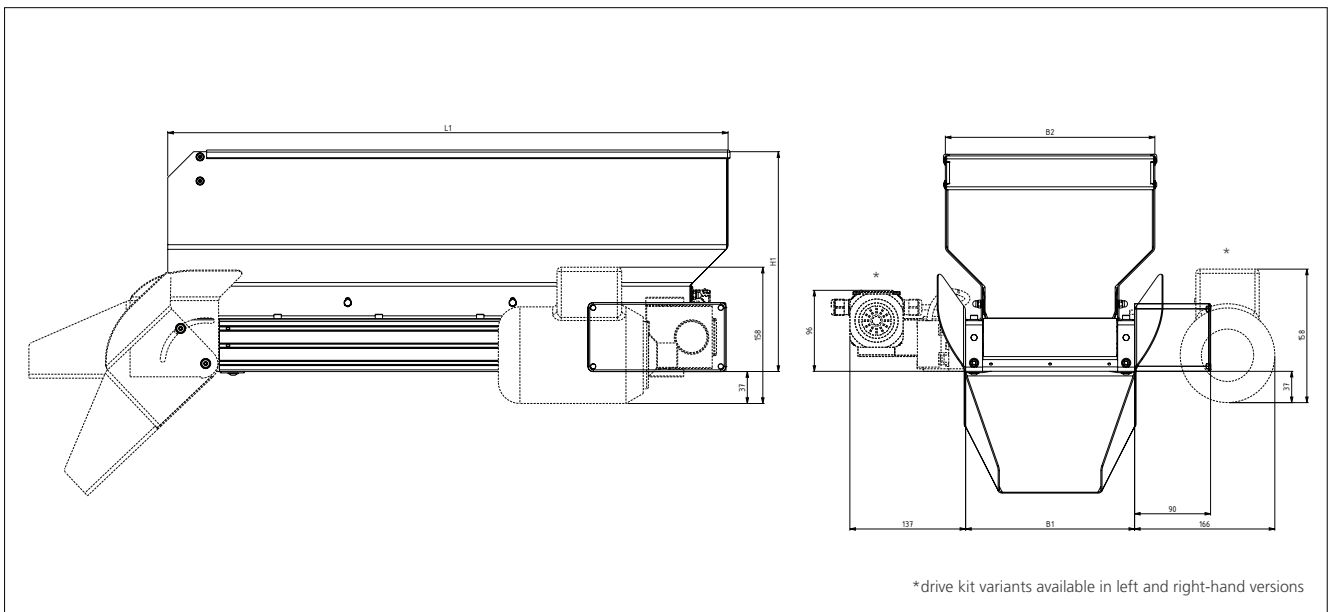


BELT HOPPER

VARIANTS

Fill Volume:	5, 10, 25, 30, 50 and 70 litres
Belt body:	with aluminium profile, red anodized bearing brackets
Hopper bowl:	made of stainless steel
Belt type:	smooth two-layers PU with or without v-guides (FDA approved), Supergrip (textured)
Drive kits	various options (view table)
Customized versions:	upon request

DIMENSIONS



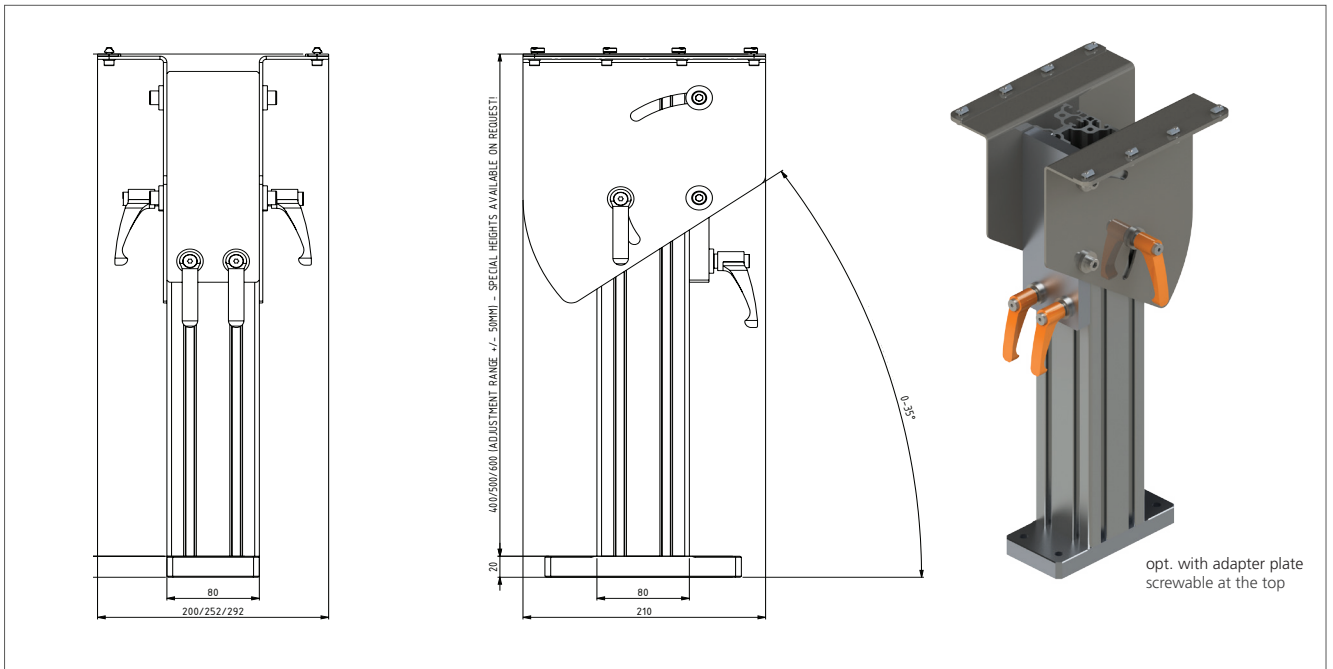
Type	Nominal volume [Litres]	L1* [mm]	B1* [mm]	B2* [mm]	H1* [mm]
HBB05	5	371	152	200	184
HBB10	10	458	200	248	211
HBB25	25	650	200	248	255
HBB30	30	650	200	248	360
HBB50	50	710	252	390	414
HBB70	70	912	252	390	410

DRIVE KITS

	HBB05	HBB10	HBB25	HBB30	HBB50	HBB70
Nominal volume	5 l	10 l	25 l	30 l	50 l	70 l
Device weight	14 kg	19 kg	20 kg	22 kg	24 kg	32 kg
24 VDC Standard	3W/0,1A	3W/0,1A	3W/0,1A	3W/0,1A		
Conveyor speed	0,13 m/min	0,13 m/min	0,13 m/min	0,13 m/min	on request	on request
Fill weight	20 kg	20 kg	20 kg	20 kg		
1 x 230V 50Hz Standard	3,5W/0,02A	3,5W/0,02A	3,5W/0,02A	3,5W/0,02A		
Conveyor speed	0,13m/min	0,13m/min	0,13m/min	0,13m/min	on request	on request
Fill weight	20 kg	20 kg	20 kg	20 kg		
1 x 230V/ 50Hz Heavy duty	0,09kW / 1A	0,09kW / 1A	0,09kW / 1A	0,09kW / 1A	0,09kW / 1A	0,09kW / 1A
Conveyor speed	1,8 m/min / 2,2 m/min	1,8 m/min / 2,2 m/min	1,8 m/min / 2,2 m/min	1,8 m/min / 2,2 m/min	1,8 m/min / 2,2 m/min	1,8 m/min / 2,2 m/min
Fill weight	60 kg	60 kg	60 kg	60 kg	60 kg	60 kg
3 x 230V/400V 50Hz Heavy duty	0,05kW / 0,4A	0,05kW / 0,4A	0,05kW / 0,4A	0,05kW / 0,4A	0,05kW / 0,4A	0,05kW / 0,4A
Conveyor speed	1,8 m/min / 2,2 m/min	1,8 m/min / 2,2 m/min	1,8 m/min / 2,2 m/min	1,8 m/min / 2,2 m/min	1,8 m/min / 2,2 m/min	1,8 m/min / 2,2 m/min
Fill weight	60 kg	60 kg	60 kg	60 kg	60 kg	60 kg
24 VDC Flexible	36-60W / 1,5-2,5A	36-60W / 1,5-2,5A	36-60W / 1,5-2,5A	36-60W / 1,5-2,5A	36-60W / 1,5-2,5A	36-60W / 1,5-2,5A
Conveyor speed	1,1 - 7,6 m/min	1,1 - 7,6 m/min	1,1 - 7,6 m/min	1,1 - 7,6 m/min	1,1 - 7,6 m/min	1,1 - 7,6 m/min
Fill weight*	30-60 kg	30-60 kg	30-60 kg	30-60 kg	30-60 kg	30-60 kg
1 x 230V 50Hz Flexible	60W / 0,3A	60W / 0,3A	60W / 0,3A	60W / 0,3A	60W / 0,3A	60W / 0,3A
Conveyor speed	1,1 - 7,6 m/min	1,1 - 7,6 m/min	1,1 - 7,6 m/min	1,1 - 7,6 m/min	1,1 - 7,6 m/min	1,1 - 7,6 m/min
Fill weight*	30-60 kg	30-60 kg	30-60 kg	30-60 kg	30-60 kg	30-60 kg
3 x 230V/400V 50Hz Flexible	60W / 0,15A	60W / 0,15A	60W / 0,15A	60W / 0,15A	60W / 0,15A	60W / 0,15A
Conveyor speed	0,95 - 7,6 m/min	0,95 - 7,6 m/min	0,95 - 7,6 m/min	0,95 - 7,6 m/min	0,95 - 7,6 m/min	0,95 - 7,6 m/min
Fill weight*	30 - 60 kg	30 - 60 kg	30 - 60 kg	30 - 60 kg	30 - 60 kg	30 - 60 kg

*dependent on gear reduction ratio

ACCESSORIES



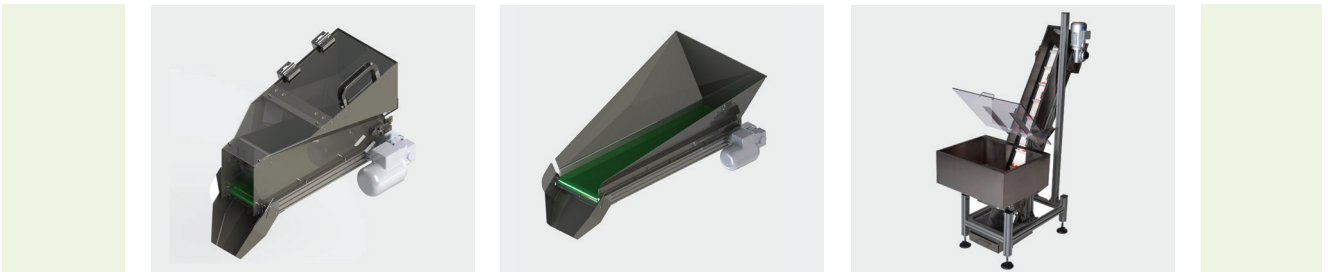
Mounting stand (adjustable angle and height)

In the range:

- >> short tipping chute
- >> long tipping chute
- >> bottom cover
- >> deflection cover
- >> quick emptying with deflection cover
- >> chute nose
- >> pc-cover with friction hinge
- >> cover lock
- >> fall brake for tipping chute
- >> protective surface for tipping chute
- >> fill level monitoring for hopper bowl

Further accessories and special versions **upon request!**

Visit our website: hamotek.de



HAMOTEK
Montagetechnik GmbH

Tel. +49 (0) 8654 / 770 96 63
office@hamotek.de
www.hamotek.de

Fürstenweg 1
83395 Freilassing
GERMANY

Assembly and manufacturing:
Eschstraße 38
88361 Altshausen/Mendelbeuren
GERMANY