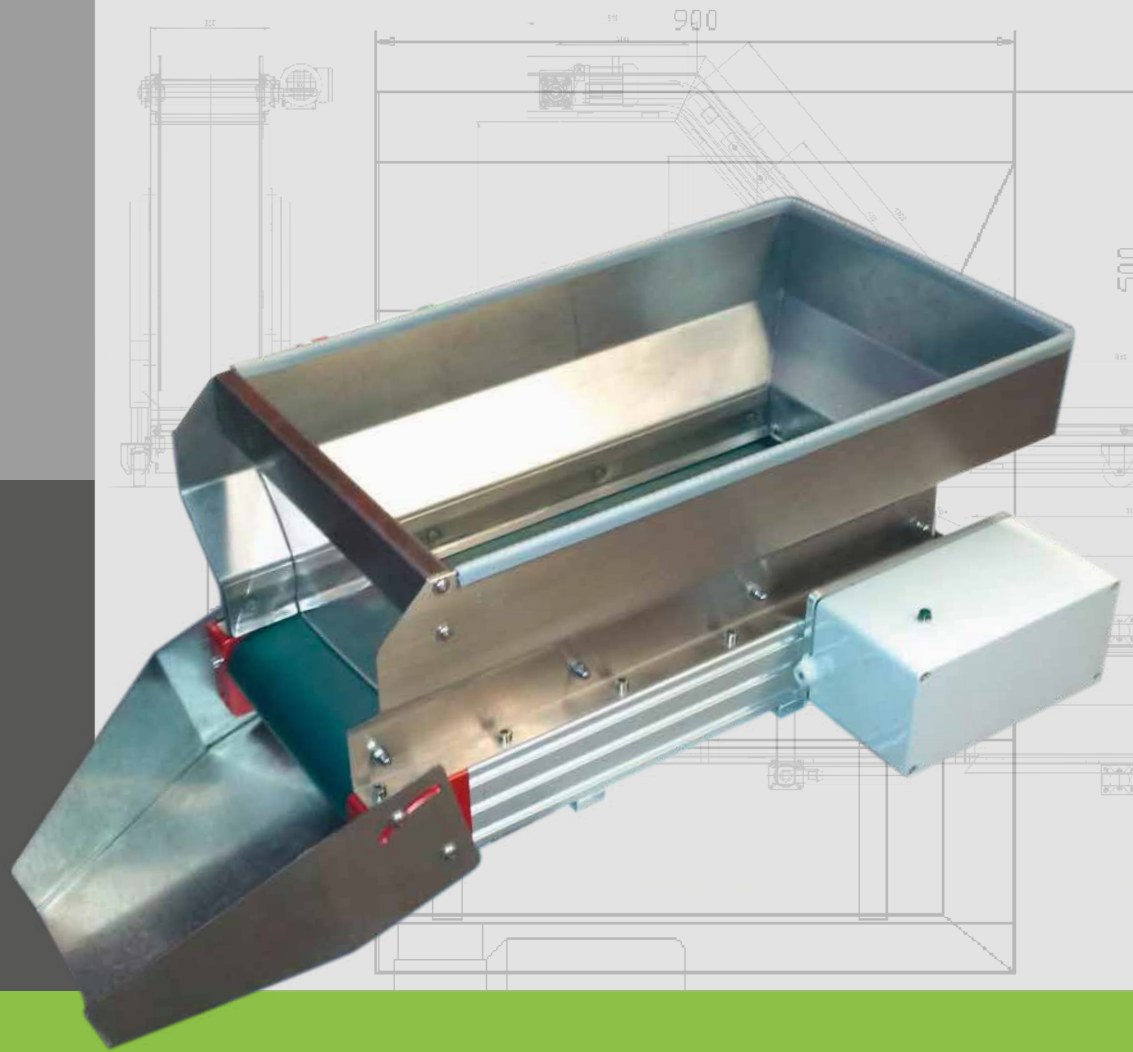


**HAMOTEK** 

UNITED COMPONENTS EUROPE

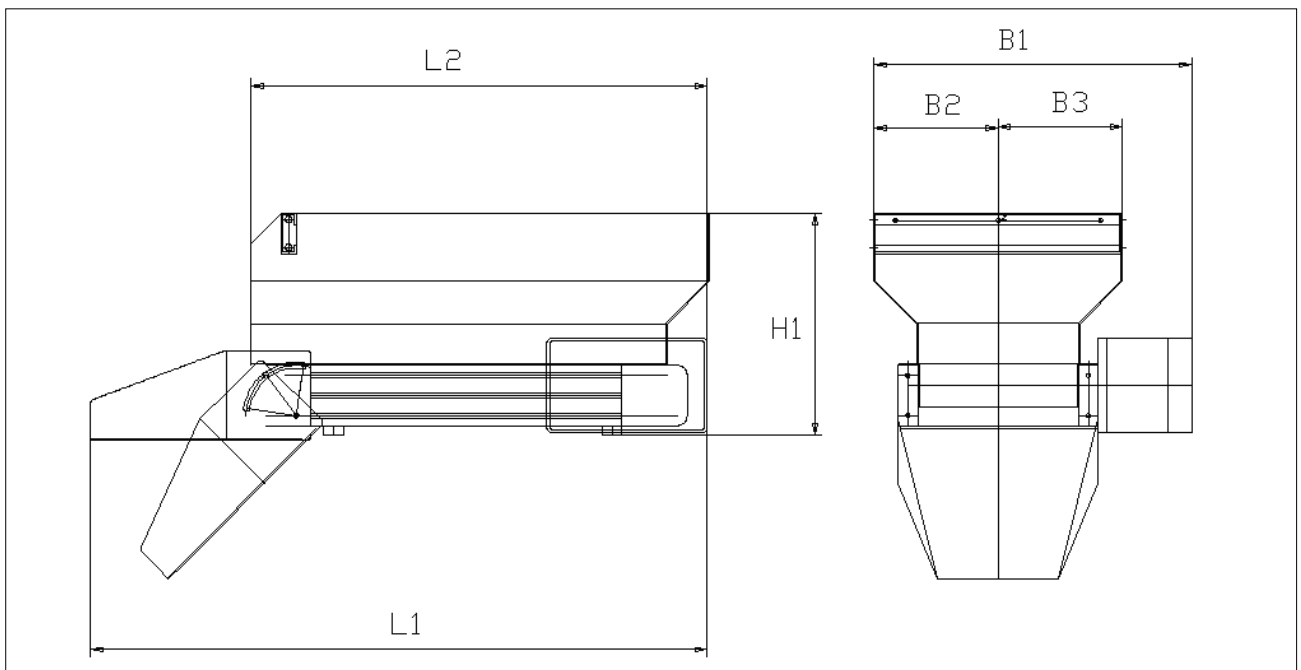


# CONVEYOR BELT HOPPER

# VARIANTS

- Filling Volume: 5, 10, 25 and 50 liters (other volumes available)
- Conveyor belt body: with aluminium profile, coloured anodized bearing brackets
- Container: made of stainless steel
- Belt materials: PU with two layers and smooth surface, PVC with knobbed surface or special ESD-capable belt
- Drives: 24 V, 230 VAC 50 Hz (Standard or Heavy-Duty)

# DIMENSIONS



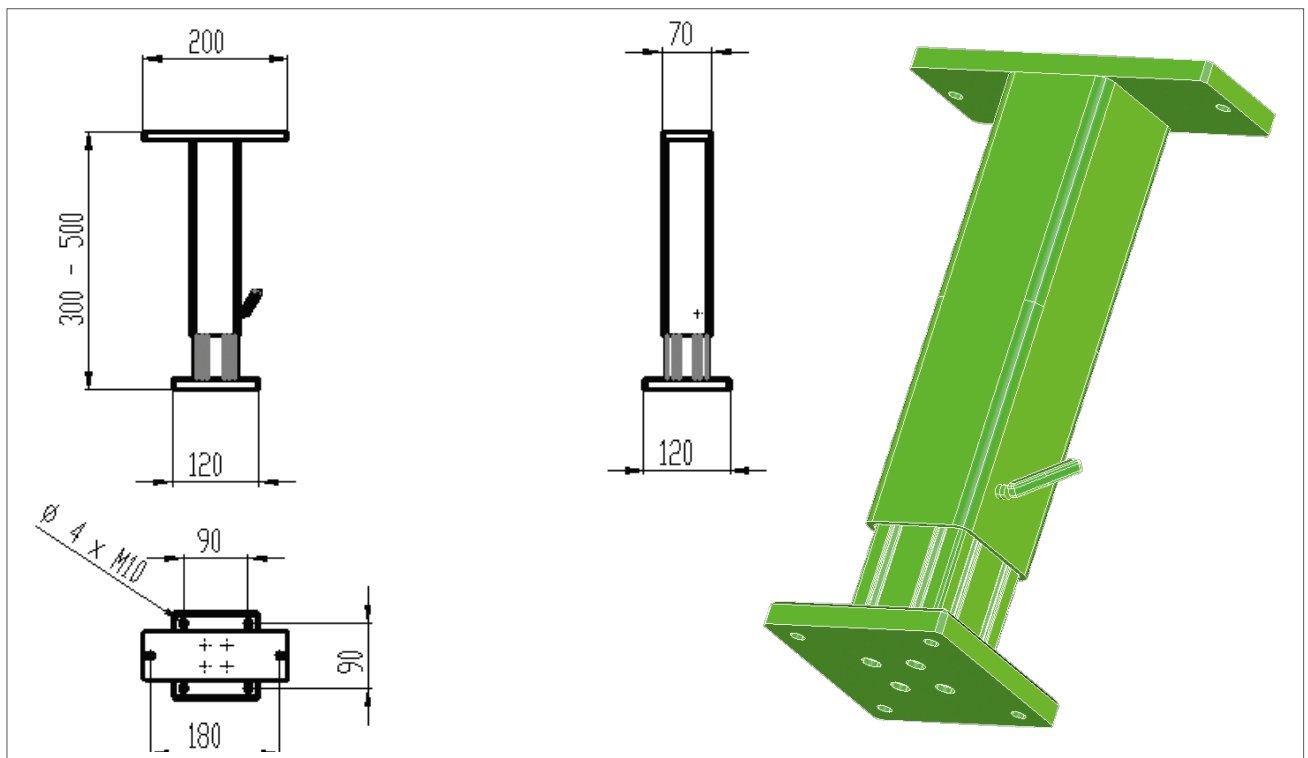
in mm	Liter	L1	L2	B1	B2	B3	H1
<b>HBB05</b>	5	480	370.6	268.6	100	100	194
<b>HBB10</b>	10	604.5	457.5	316.5	124	124	221
<b>HBB25</b>	15	805	650	316.5	124	124	265
<b>HBB50</b>	50	870	710	409	196	196	412

# TECHNICAL SPECIFICATIONS

	HBB05	HBB10	HBB25	HBB50
<b>Filling Volume</b>	5 l	10 l	25 l	50 l
<b>Filling weight STANDARD</b>	15 kg	20 kg	20 kg	20 kg
<b>Filling weight HEAVY-DUTY</b>	30 kg	40 kg	40 kg	40 kg
<b>Belt speed</b>	0.13 m/min	0.13 m/min	0.13 m/min	0.13 m/min
<b>Weight device</b>	13 kg	19.7 kg	20.10 kg	22 kg
<b>Power output</b>				
24 VDC STANDARD	7 W	7 W	7 W	7 W
230 VAC STANDARD	23 W	23 W	23 W	23 W
230 VAC HEAVY-DUTY	115 W	115 W	115 W	115 W
<b>Power input</b>				
24 VDC STANDARD	0.3 A	0.3 A	0.3 A	0.3 A
230 VAC STANDARD	0.1 A	0.1 A	0.1 A	0.1 A
230 VAC HEAVY-DUTY	0.5 A	0.5 A	0.5 A	0.5 A
<b>Protection class STANDARD</b>	IP54	IP54	IP54	IP54
<b>Protection class HEAVY-DUTY</b>	IP44	IP44	IP44	IP44

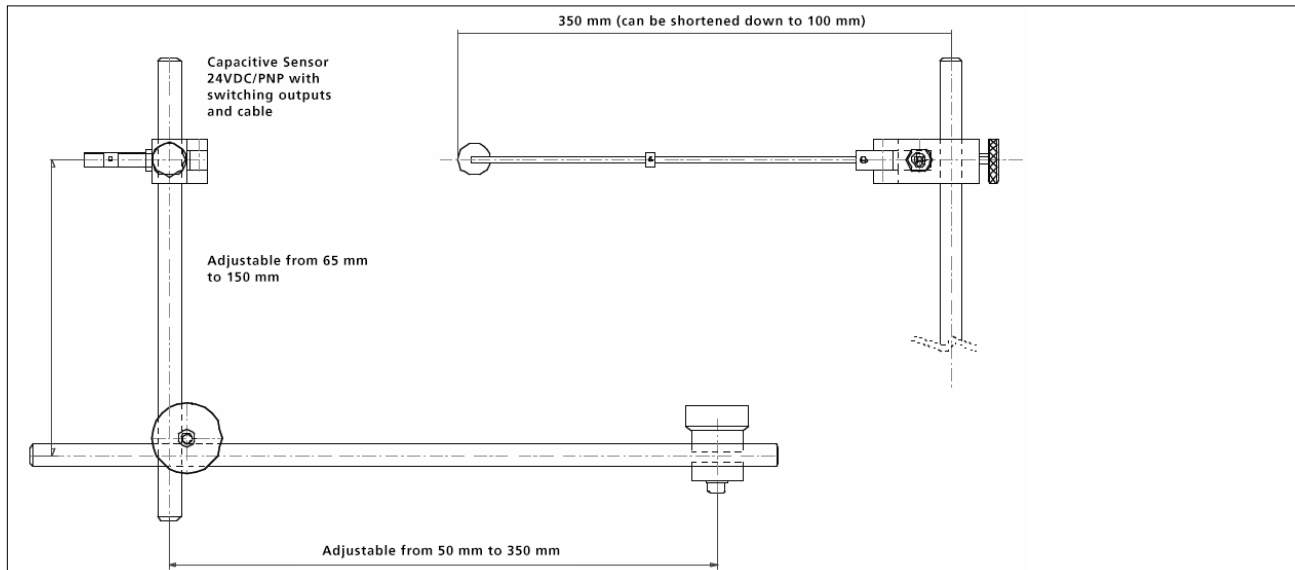
## ACCESSORIES

### Height-adjustable conveyor belt hopper stand

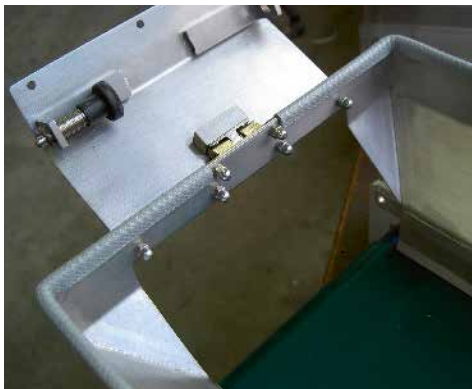


## ACCESSORIES

### Level control with paddle and sensor



### Flap for quick emptying



in mm	Width	Height
<b>HBB05</b>	105	90
<b>HBB10</b>	160	111
<b>HBB25</b>	160	130
<b>HBB50</b>	250	280

**HAMOTEK Montagetechnik GmbH**

Fürstenweg 1  
83395 Freilassing, Germany

Tel. +49 (0) 8654 / 7709663

Fax +49 (0) 8654 / 7709662

office@hamotek.de

www.hamotek.de