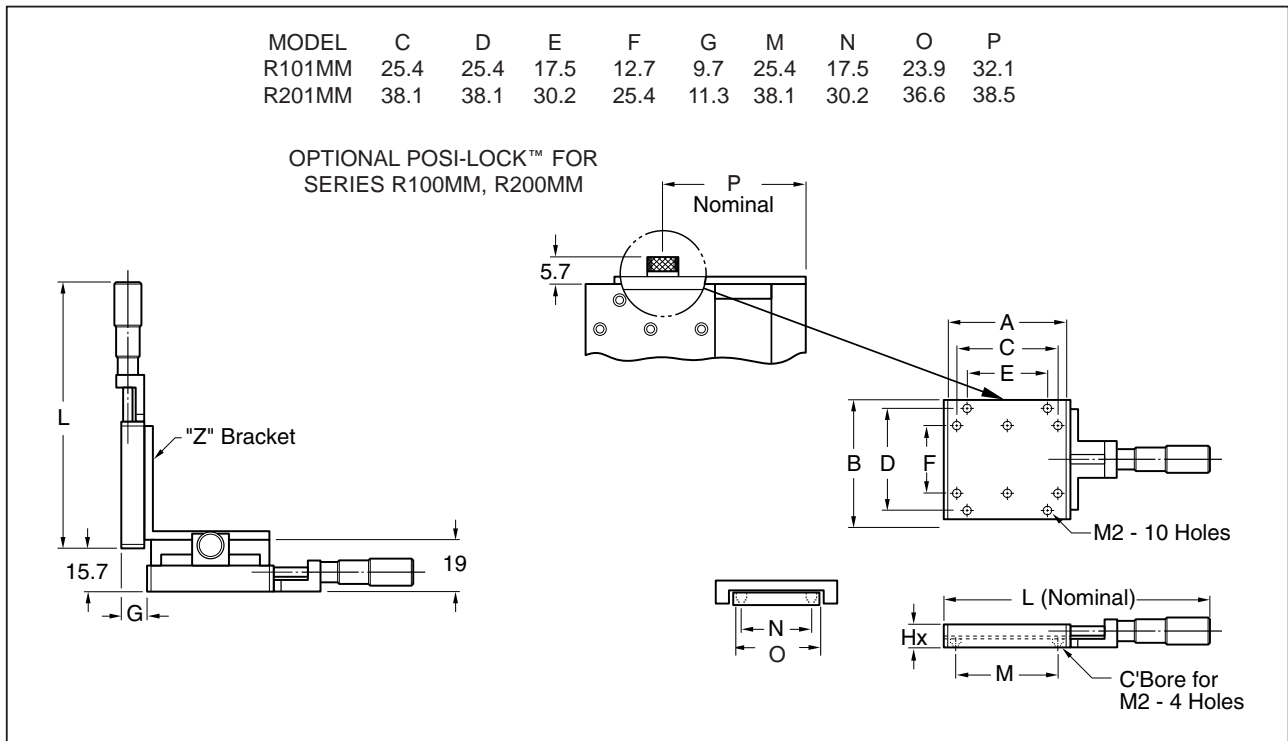


Dimensions in mm

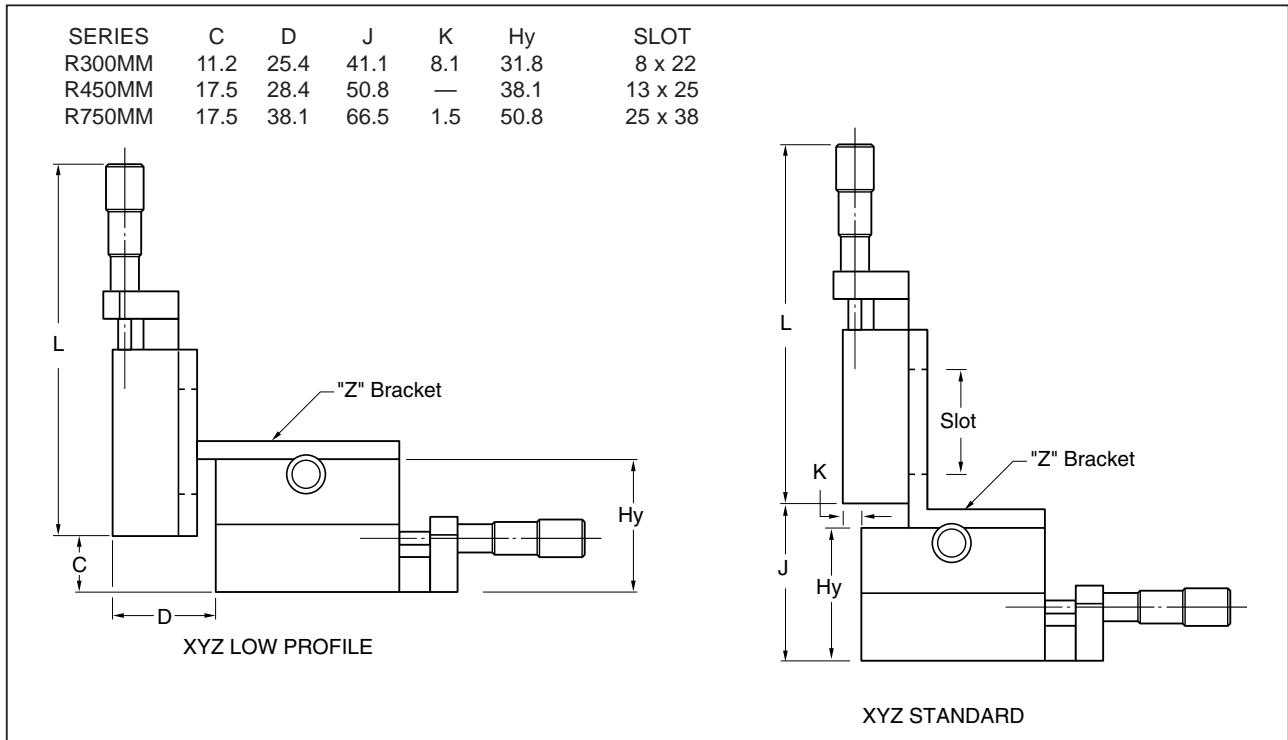
SERIES R99MM

Space saving side mount micrometer head style is available. Please inquire.



Dimensions in mm

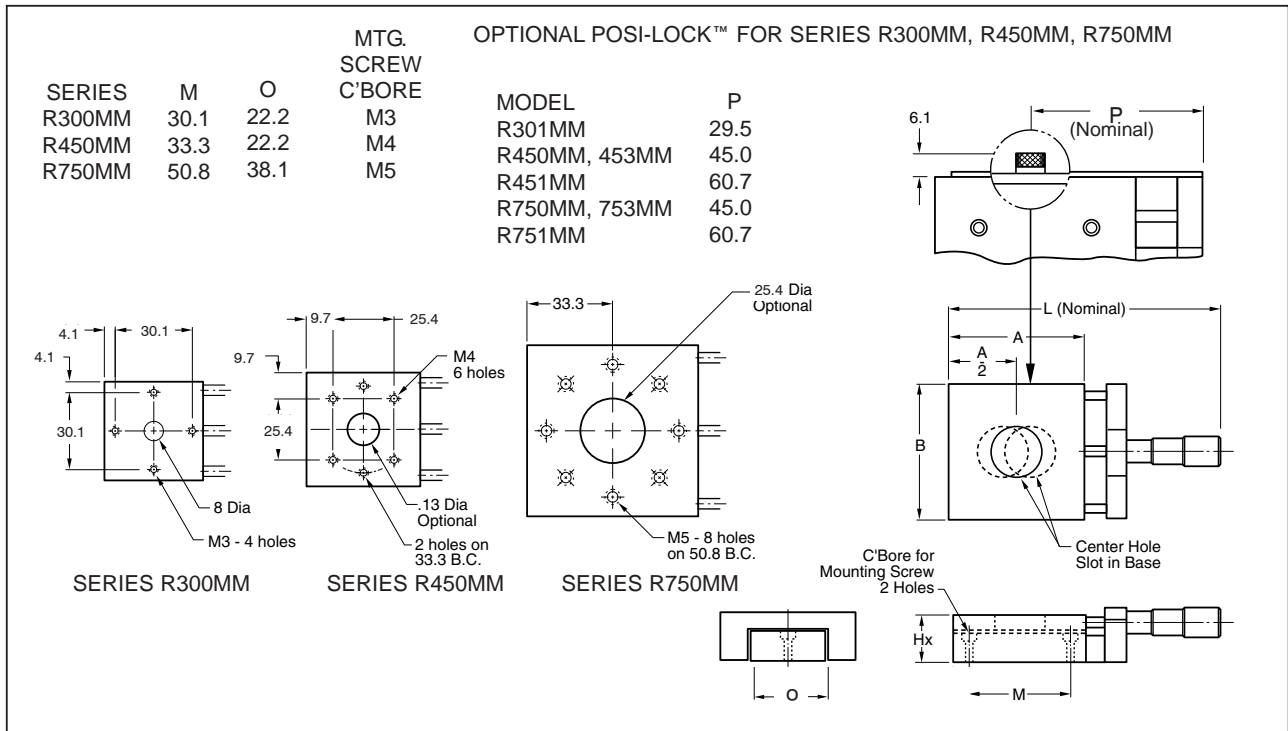
SERIES R100MM, R200MM



Dimensions in mm

SERIES R300MM, R450MM, R750MM

Space saving side mount micrometer head style is available. Please inquire.



Dimensions in mm

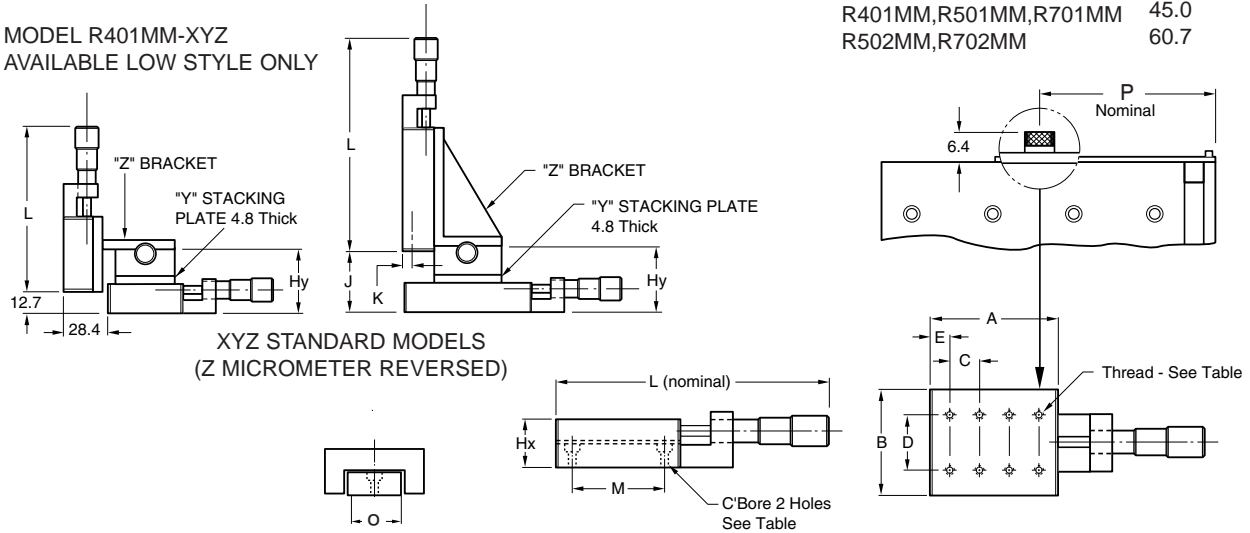
SERIES R300MM, R450MM, R750MM

SERIES	C	D	E	NO. HOLES	THREAD	C'BORE FOR	M	O	SERIES	J	K	Hy
R400MM	12.7	22.2	6.4	8	M4	M4	41.1	22.2	R400MM	—	—	42.9
R500MM	14.0	22.2	6.4	12	M4	M4	69.9	22.2	R500MM	39.6	—	42.9
R700MM	25.4	31.8	12.7	8	M5	M5	85.9	38.1	R700MM	52.3	8.1	55.6

OPTIONAL POSI-LOCK™ FOR SERIES R400MM, R500MM, R700MM

MODEL R500MM & R700MM XYZ

MODEL R401MM-XYZ
AVAILABLE LOW STYLE ONLY

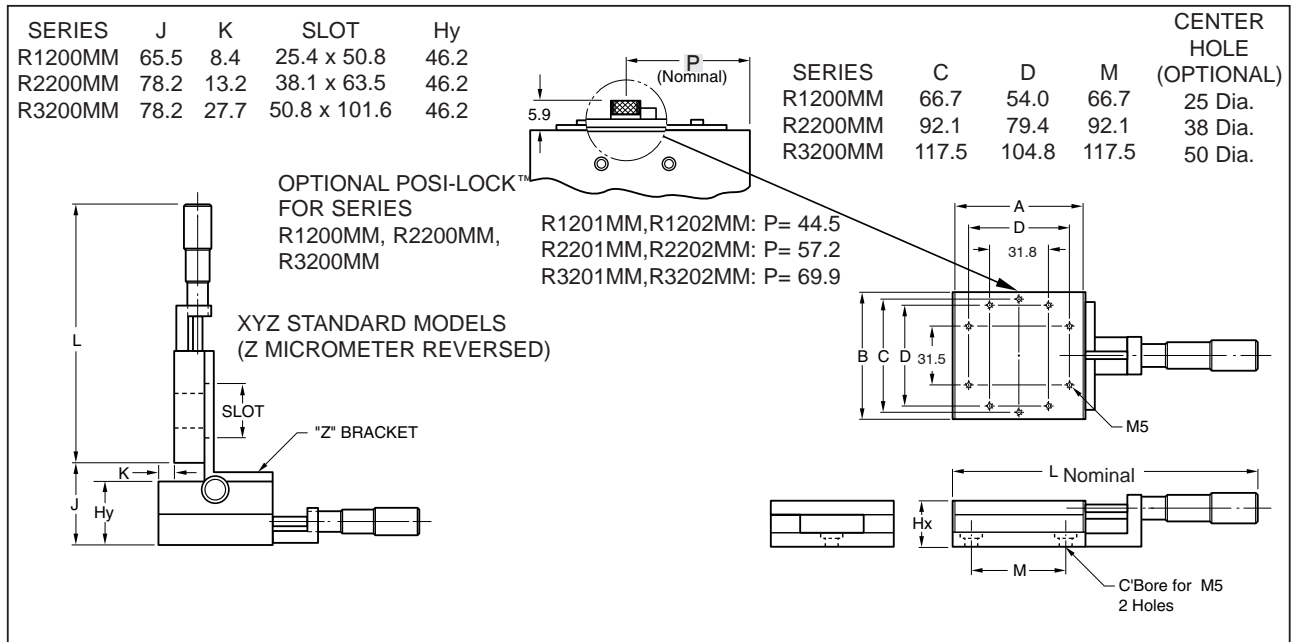


MODEL	P
R401MM, R501MM, R701MM	45.0
R502MM, R702MM	60.7

Dimensions in mm

SERIES R400MM, R500MM, R700MM

Space saving side mount micrometer head style is available. Please inquire.



Dimensions in mm

SERIES R1200MM, R2200MM, R3200MM